

KUBOTA TRACKED DUMPER

KC70 VHD-4



Dumping height at pin height

Truck easy loading operation

Thanks to its high dump function, the KC70VHD-4 can empty its load up to 1,43m high (pin height). In addition, the dumping reach of 447mm allows to easily empty the load from the skip far away enough from the side of the truck edge.

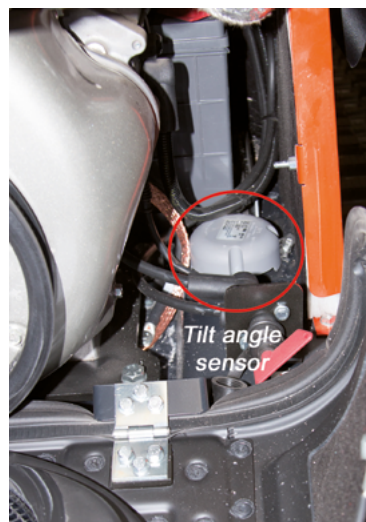


Vertical lift

Due to the telescopic mast, the Kubota KC70VHD-4 lift the load vertically which guarantees excellent stability.



Micro switch on the lifting frame



Tilt angle sensor

Safety

A warning buzzer turns on when the skip is at a certain level if the slope angle is more than 8°C. A sensor located in the engine compartment, detects the angle of the frame, the limit being 8°C. A micro-switch located on the lifting arm detects the position of the skip. It operates when the skip reach a certain level preset by the factory.



Convenient width

Like the others models of the product family, The Kubota KC70VHD-4 has been designed to work in confined area. Its variable undercarriage allows to drive through narrow spaces when minimum tread is set (758mm overall width) and insure an excellent stability the undercarriage is extended at maximum position (1058mm).



Control panel

An holding bar protect the control levers. All the controls levers are easy to reach and activate.

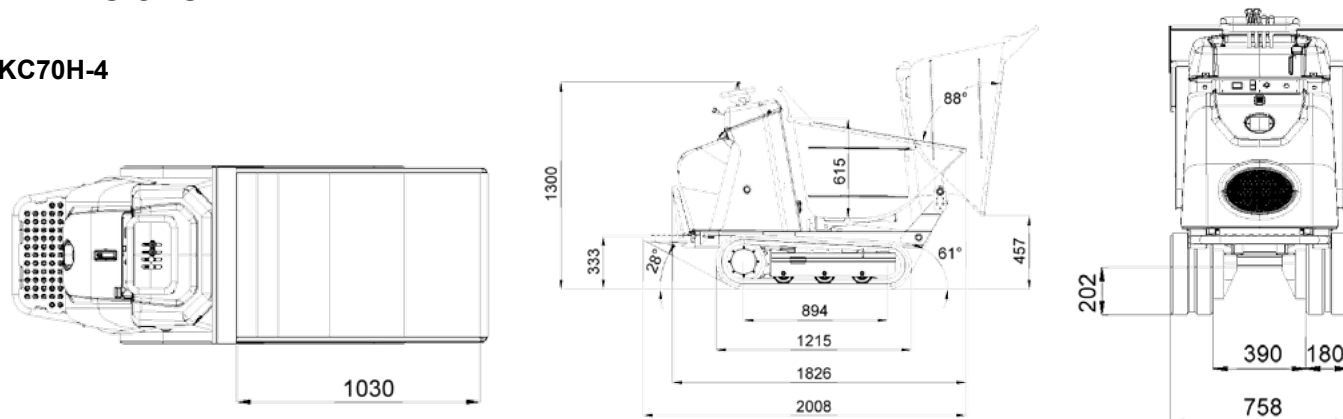
SPECIFICATIONS

Model		KC70H-4	KC70HV-4	KC70VHD-4	KC70SL-4	KC70VSL-4
Engine	Make	Kubota				
	Model	OC95				
	Output kW (PS) / rpm	7,1 (9,4) / 3500				
	Displacement cc	416				
	Cooling system	Air and oil cooled				
Service weight	kg	580	660	740	655	735
Max. loading capacity	kg	700		550	700	700
Skip tipping system		Hydraulic				
Dumping direction		Front				
Dumping height	mm	450		1355	431	431
Transmission	Type	Hydraulic				
	Hydraulic pump	2 gear type pumps				
	Flow (for each pump) ℓ/min	2 x 14.2				
	Hydraulic motors	Orbital motor				
	Max. pressure bar	165				
	Main valve	4 sections	5 sections	6 sections	5 sections	6 sections
Dimensions	Overall length mm	1860 / 2074		2010 / 2224	1892 / 2106	1892 / 2106
	Overall height mm	1300		1625	1563	
	Overall width mm	758	758 ~ 1058	758 ~ 1058	758	758 ~ 1058
Internal skip dimensions	Length mm	1030		943	1071	
	Width mm	675		677	628	
	Height mm	615		559	641	
	Dumping angle deg	88		85	88	
	Heaped volume m ³	0,34		0,29	0,34	
	Level volume m ³	0,28		0,24	0,28	
Undercarriage	Ground clearance mm	202	127	127	202	127
	Tumbler distance mm	894				
	Rubber shoe width mm	180				
	Track roller	3				
Travelling speed (Forward / Reverse)	1st speed km/h	0 ~ 2,6				
	2nd speed km/h	0 ~ 3,8				
	Max. gradeability	Front 15° / Side 20°		Skip down 15° / Skip up 8°	15°	
Fuel tank capacity	ℓ	5.5				
Hydraulic oil tank capacity	ℓ	27				
Ground pressure	Unloaded gr/cm ²	180	205	230	203	228
	Loaded gr/cm ²	398	423	401	421	446

*The data have been measured on the standard version. Specifications are subject to change without notice.

DIMENSIONS

KC70H-4

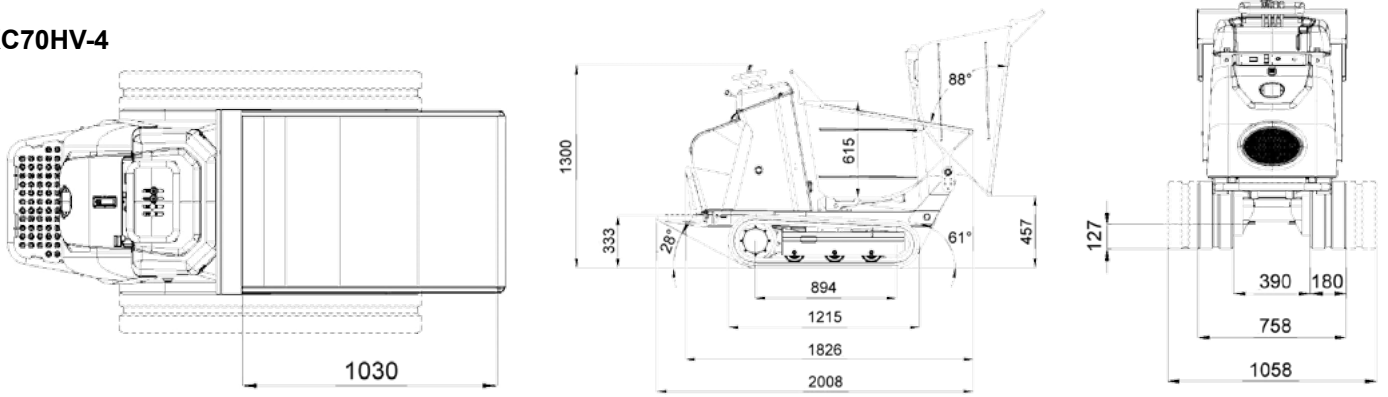


★ All image's shown are for brochure purposes only.

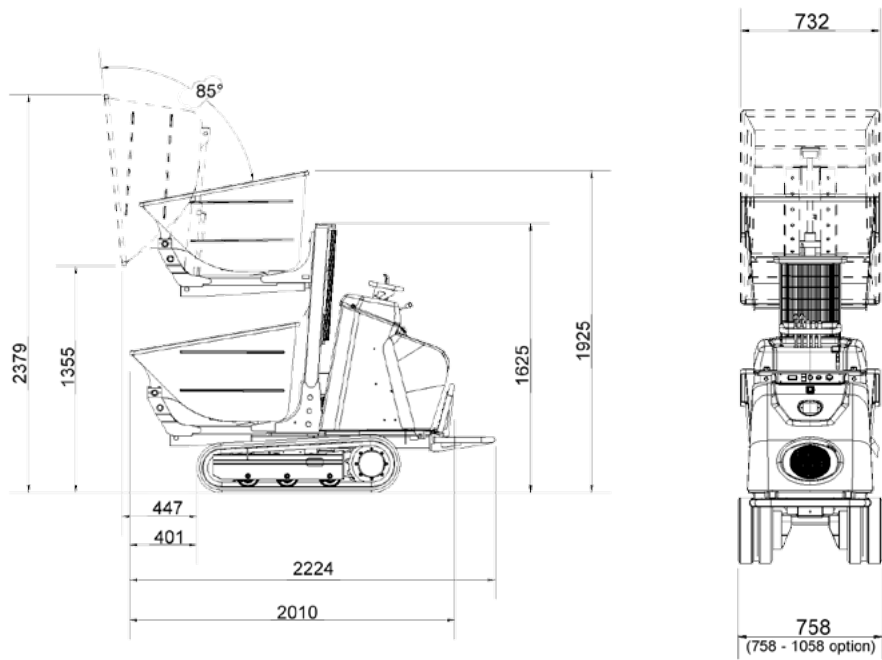
When operating the tracked dumper, always wear proper PPE clothing and equipment in accordance to local legal and safety regulations.

DIMENSIONS

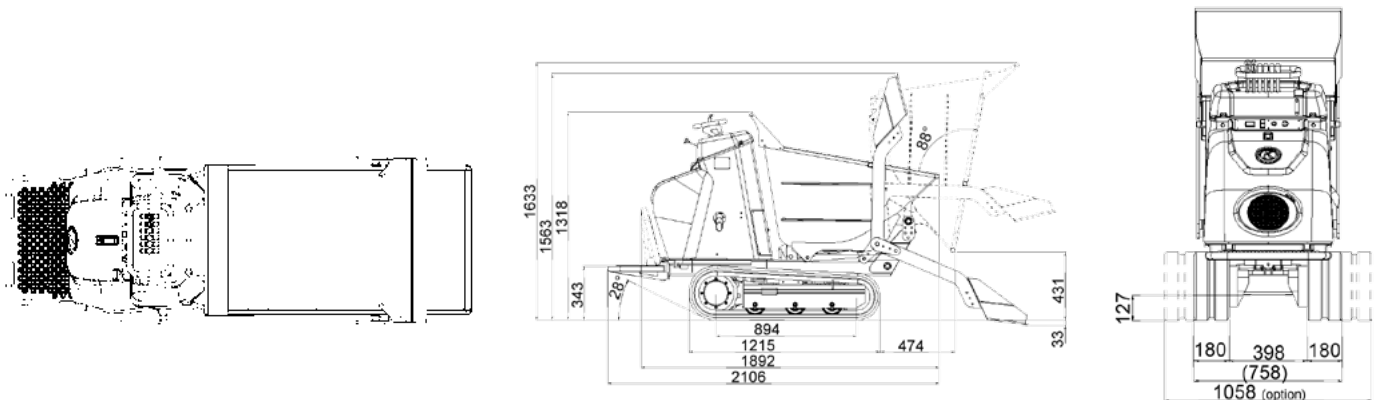
KC70HV-4



KC70VHD-4



KC70SL-4 et KC70VSL-4



KUBOTA EUROPE S.A.S.

19 à 25, Rue Jules Verceyusse
Zone Industrielle - B.P. 50088
95101 Argenteuil Cedex France
Téléphone : (33) 01 34 26 34 34
Télécopieur : (33) 01 34 26 34 99
<http://www.kubota-global.net>



[Suivez-nous sur YouTube :](#)
[KUBOTA Europe Construction Machinery](#)