

# nifty

# 90

## TRAILER MOUNTED ACCESS PLATFORM



**9.5m (31ft 6in)**  
Working height

**3.5m (11ft 6in)**  
Working outreach

**Fully Proportional  
Hydraulic Controls**  
Simple, reliable &  
easy to maintain

**Compact Outriggers**  
For setup in confined areas

**Weight Saving  
Chassis Design**  
Easily towed on the road  
& manoeuvred on site

**Telescopic Axle**  
Access through narrow  
openings & doorways



**niftylift.com**

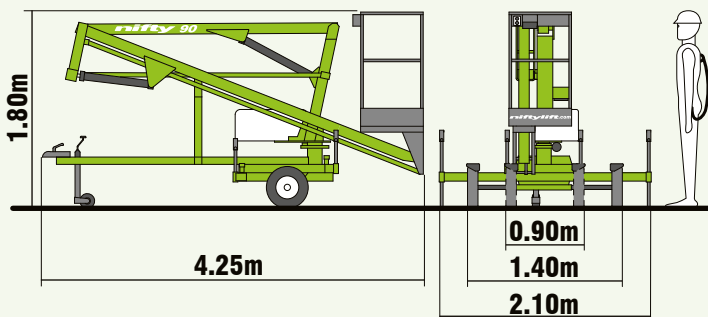
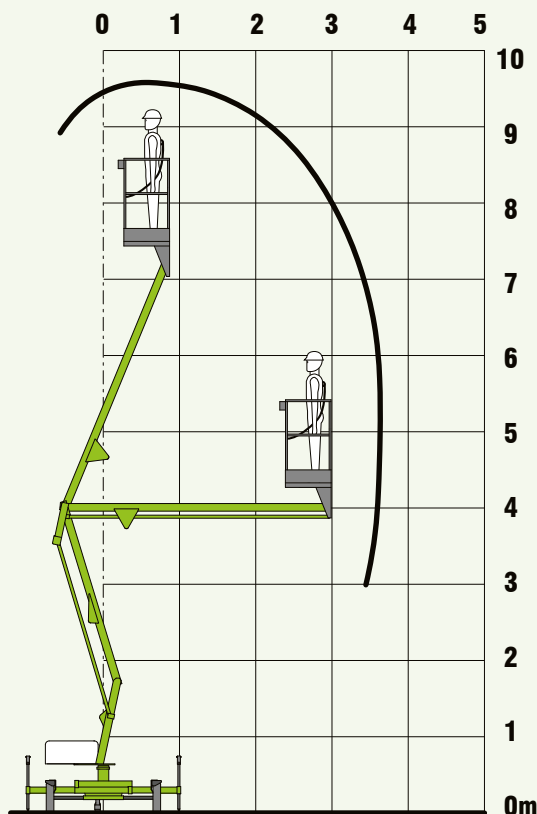


# nifty 90

The **Nifty 90** is the ideal alternative to ladders and scaffolds. Its compact design allows it to be set up in the most confined spaces. The telescopic axle allows it to pass through narrow openings and its simple, reliable hydraulic controls make even first time operation straightforward.

## SAFETY FEATURES

- Pressure sensitive outriggers
- Audible Alarms
- Manual Recovery with Hand Pump
- Dual Controls (Platform & Base)
- Lock Valves on all Hydraulic Cylinders
- Overrun Brakes with Hand Brake
- Harness Point
- CE Marked



The **Nifty 90's** 3.5m working outreach makes it ideal for reaching up-and-over obstacles and it has a telescopic axle to allow it to pass through a 0.9m (2ft 11in) opening.

## SPECIFICATIONS

<b>Working Height</b>	9.5m	31ft 6in
<b>Platform Height</b>	7.5m	24ft 6in
<b>Working Outreach</b>	3.5m	11ft 6in
<b>Slew</b>	360°	
<b>Width - Axles Retracted</b>	0.9m	2ft 11in
- Axles Extended	1.4m	4ft 7in
- Working	2.1m	6ft 11in
<b>Height</b>	1.8m	5ft 11in
<b>Length</b>	4.25m	13ft 11in
<b>Weight</b>	695kg*	1,530lbs*
<b>Platform Capacity</b>	120kg	265lbs
<b>Platform Size</b>	0.6m x 0.6m	2ft x 2ft
<b>Control System</b>	Fully Proportional Hydraulic	
<b>Power System</b>	Mains Only Battery Only	

\* Weights may vary according to specification / power options, please confirm before ordering.

Due to a policy of continuing development and improvement, Niftylift reserves the right to change any specification without notice. Please confirm exact specification before ordering.

Supplied by:

**Manufacturers of trailer mounted,  
self propelled and vehicle mounted platforms.**



**NIFTYLIFT LTD**  
Fingle Drive  
Stonebridge  
Milton Keynes  
MK13 0ER  
England

[www.niftylift.com](http://www.niftylift.com)

email: [info@niftylift.com](mailto:info@niftylift.com)

Tel.: +44 (0) 1908 223456

Fax.: +44 (0) 1908 312733